

NBC-M12MSD/ 5,0-93B/M12MSD - Network cable



1407526

<https://www.phoenixcontact.com/us/products/1407526>

Please be informed that the data shown in this PDF document is generated from our online catalog. Please find the complete data in the user documentation. Our general terms of use for downloads are valid.



Network cable, PROFINET CAT5 (100 Mbps), EtherCAT[®] CAT5 (100 Mbps), 4-position, shielded (Advanced Shielding Technology), Plug straight M12, coding: D / IP67, on Plug straight M12, coding: D / IP67, cable length: 5 m

Commercial data

| | |
|--------------------------------------|---------------------|
| Item number | 1407526 |
| Packing unit | 1 pc |
| Minimum order quantity | 1 pc |
| Sales key | BF04 |
| Product key | BF1CJN |
| Catalog page | Page 198 (C-6-2019) |
| GTIN | 4046356778312 |
| Weight per piece (including packing) | 350 g |
| Weight per piece (excluding packing) | 355.3 g |
| Customs tariff number | 85444290 |
| Country of origin | PL |

1407526

<https://www.phoenixcontact.com/us/products/1407526>

Technical data

Notes

| | |
|---------|--|
| General | This product corresponds to the PROFINET Cabling and Interconnection Technology Guideline for PROFINET regulations, version 2.00, order no: 2.252, Chapter 10.1 Cord Sets for Balanced Cabling |
| General | Further products with variable cable type and variable cable length can be found in the accessories section |

Product properties

| | |
|----------------------|-------------------------|
| Product type | Data cable preassembled |
| Sensor type | PROFINET |
| Number of positions | 4 |
| Application | Standard |
| No. of cable outlets | 1 |
| Shielded | yes |
| Coding | D |

Insulation characteristics

| | |
|----------------------|----|
| Overvoltage category | II |
| Degree of pollution | 3 |

Interfaces

| | |
|----------------------|---|
| Bus system | PROFINET |
| Signal type/category | PROFINET CAT5 (IEC 11801), 100 Mbps EtherCAT [®] CAT5 (IEC 11801), 100 Mbps |

Signaling

| | |
|------------------------|----|
| Status display | No |
| Status display present | No |

Electrical properties

| | |
|---|-----------------------|
| Nominal voltage U_N | 48 V AC |
| | 60 V DC |
| Nominal current I_N | 4 A |
| Transmission medium | Copper |
| Transmission characteristics (category) | CAT5 (IEC 11801:2002) |

Material specifications

| | |
|--|----|
| Flammability rating according to UL 94 | V0 |
|--|----|

Connector

Connection 1

| | |
|------|--------------------------|
| Type | Plug straight M12 / IP67 |
|------|--------------------------|

NBC-M12MSD/ 5,0-93B/M12MSD - Network cable



1407526

<https://www.phoenixcontact.com/us/products/1407526>

| | |
|---------------------------------|---|
| Number of positions | 4 |
| Coding type | D (Data) |
| Handle color | black |
| Material | CuSn (Contact) Ni/Au (Contact surface) PA (Contact carriers) TPU, hardly inflammable, self-extinguishing (Grip) Zinc die-cast, nickel-plated (Screw connection) FKM (Seal) |
| Insertion/withdrawal cycles | ≥ 100 |
| Contact resistance | ≤ 5 mΩ |
| Insulation resistance | ≥ 100 MΩ |
| Tightening torque | 0.4 Nm |
| Degree of protection | IP67 |
| Ambient temperature (operation) | -25 °C ... 90 °C |

Connection 2

| | |
|---------------------------------|---|
| Type | Plug straight M12 / IP67 |
| Number of positions | 4 |
| Coding type | D (Data) |
| Handle color | black |
| Material | CuSn (Contact) Ni/Au (Contact surface) PA (Contact carriers) TPU, hardly inflammable, self-extinguishing (Grip) Zinc die-cast, nickel-plated (Screw connection) FKM (Seal) |
| Insertion/withdrawal cycles | ≥ 100 |
| Contact resistance | ≤ 5 mΩ |
| Insulation resistance | ≥ 100 MΩ |
| Tightening torque | 0.4 Nm |
| Degree of protection | IP67 |
| Ambient temperature (operation) | -25 °C ... 90 °C |

Cable/line

| | |
|--------------|-----|
| Cable length | 5 m |
|--------------|-----|


PROFINET PVC stranded CAT5 [93B]

NBC-M12MSD/ 5,0-93B/M12MSD - Network cable



1407526

<https://www.phoenixcontact.com/us/products/1407526>

| | |
|---|--|
| Dimensional drawing |  |
| Cable weight | 67 kg/km |
| UL AWM Style | 21694 |
| Number of positions | 4 |
| Shielded | yes |
| Cable type | PROFINET PVC stranded CAT5 [93B] |
| Conductor structure | 1x4xAWG22/7, SF/TQ |
| Signal runtime | 5.3 ns/m |
| Signal speed | 0.66 c |
| Conductor structure signal line | 7x 0.25 mm |
| AWG signal line | 22 |
| Conductor cross section | 4x 0.34 mm ² |
| Wire diameter incl. insulation | 1.55 mm |
| External cable diameter | 6.5 mm ±0.2 mm |
| Outer sheath, material | PVC |
| External sheath, color | green RAL 6018 |
| Conductor material | Tin-plated Cu litz wires |
| Material wire insulation | PE |
| Single wire, color | white, yellow, blue, orange |
| Thickness, outer sheath | approx. 0.9 mm |
| Overall twist | Star quad |
| Optical shield covering | 85 % |
| Insulation resistance | ≥ 500 MΩ*km |
| Coupling resistance | ≤ 20.00 mΩ/m (at 10 MHz) |
| Loop resistance | ≤ 120.00 Ω/km |
| Wave impedance | 100 Ω ±15 Ω (at 100 MHz) |
| Nominal voltage, cable | 600 V |
| Test voltage Core/Core | 2000 V (50 Hz, 1 min.) |
| Test voltage Core/Shield | 2000 V (50 Hz, 1 min.) |
| Minimum bending radius, fixed installation | 3 x D |
| Minimum bending radius, flexible installation | 7 x D |
| Smallest bending radius, fixed installation | 20 mm |
| Smallest bending radius, movable installation | 46 mm |
| Near end crosstalk attenuation (NEXT) | 80 dB (with 1 MHz) 76 dB (at 4 MHz) 70 dB (at 10 MHz) 65 dB (at 16 MHz) |

1407526

<https://www.phoenixcontact.com/us/products/1407526>

| | |
|------------------------------------|---|
| | 63 dB (at 20 MHz) |
| | 60 dB (at 31.25 MHz) |
| | 55 dB (at 62.5 MHz) |
| | 50 dB (at 100 MHz) |
| Shield attenuation | 2.1 dB (with 1 MHz) |
| | 4 dB (at 4 MHz) |
| | 6.3 dB (at 10 MHz) |
| | 8 dB (at 16 MHz) |
| | 9 dB (at 20 MHz) |
| | 11.4 dB (at 31.25 MHz) |
| | 16.5 dB (at 62.5 MHz) |
| | 21.3 dB (at 100 MHz) |
| Flame resistance | according to UL 1685 (CSA FT 4) |
| Resistance to oil | Resistant to oil to a limited extent |
| Other resistance | UV resistant (According to UL 1581, Section 1200) |
| Ambient temperature (operation) | -40 °C ... 70 °C (cable, fixed installation) |
| | -40 °C ... 70 °C (Cable, flexible installation) |
| Ambient temperature (installation) | -20 °C ... 60 °C |

Environmental and real-life conditions

Ambient conditions

| | |
|----------------------|----------------------|
| Degree of protection | IP65 (M12 connector) |
| | IP67 (M12 connector) |

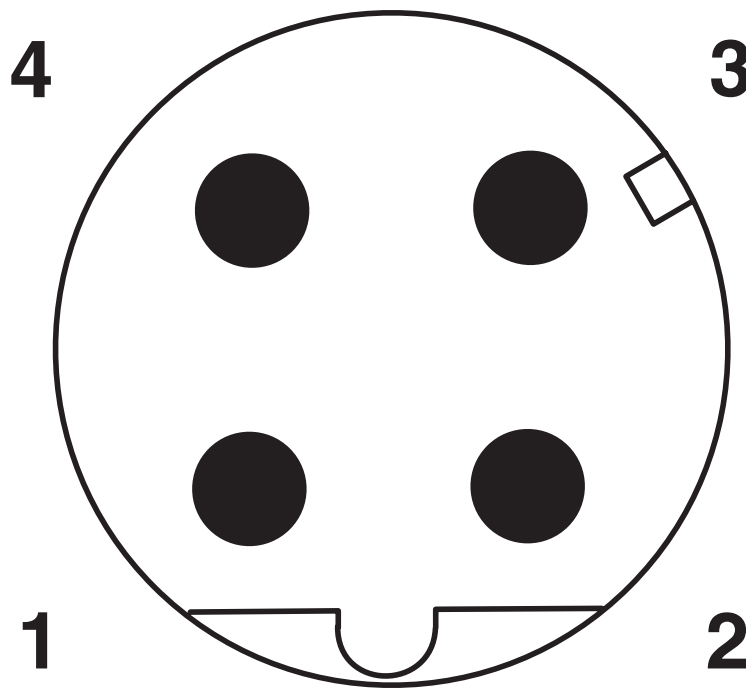
Standards and regulations

M12

| | |
|--------------------------|-----------------|
| Standard designation | M12 connector |
| Standards/specifications | IEC 61076-2-101 |

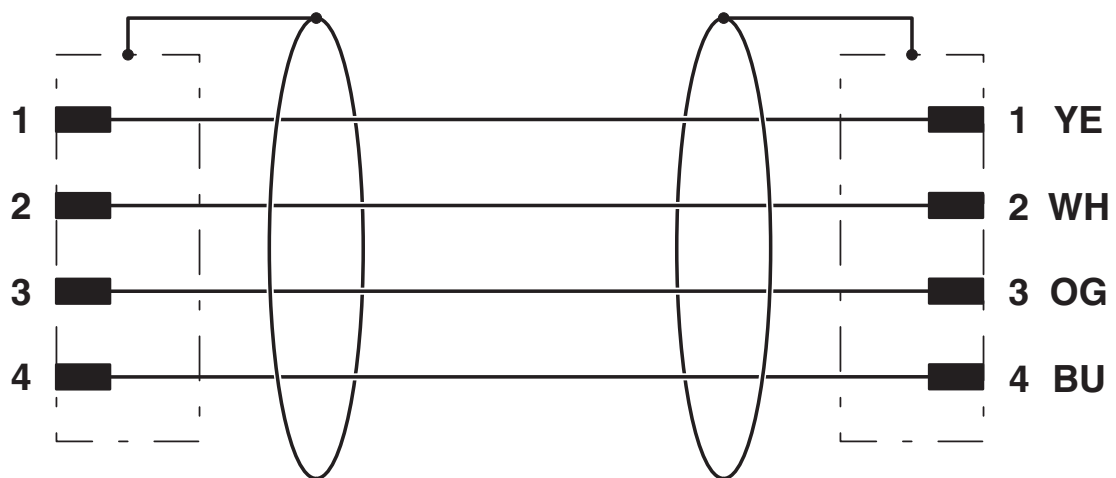
Drawings

Schematic diagram

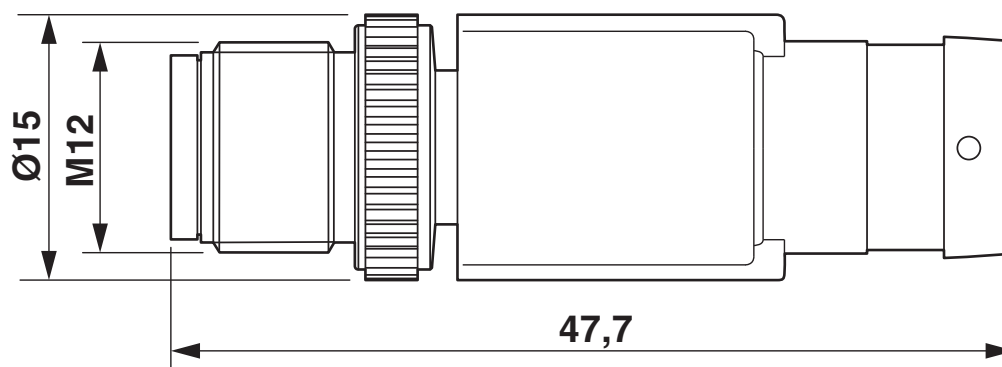


Pin assignment M12 male connector, 4-pos., D-coded, male side

Circuit diagram



Dimensional drawing




Plug, M12 x 1, straight, shielded


1407526

<https://www.phoenixcontact.com/us/products/1407526>

Approvals

To download certificates, visit the product detail page: <https://www.phoenixcontact.com/us/products/1407526>

|  UL Listed Approval ID: FILE E 335024 | | | | |
|--|-----------------------|-----------------------|-------------------|----------------------|
| | Nominal voltage U_N | Nominal current I_N | Cross section AWG | Cross section mm^2 |
| | 250 V | 4 A | - | - |

|  cUL Listed Approval ID: FILE E 335024 | | | | |
|---|-----------------------|-----------------------|-------------------|----------------------|
| | Nominal voltage U_N | Nominal current I_N | Cross section AWG | Cross section mm^2 |
| | 250 V | 4 A | - | - |

|  EAC-RoHS Approval ID: RU D-DE.HB35.B.00387 | |
|---|--|
|---|--|

| cULus Listed |
|---------------------|
|---------------------|

NBC-M12MSD/ 5,0-93B/M12MSD - Network cable



1407526

<https://www.phoenixcontact.com/us/products/1407526>

Classifications

ECLASS

| | |
|-------------|----------|
| ECLASS-11.0 | 27060307 |
| ECLASS-12.0 | 27060307 |
| ECLASS-13.0 | 27060307 |

ETIM

| | |
|----------|----------|
| ETIM 9.0 | EC001855 |
|----------|----------|

UNSPSC

| | |
|-------------|----------|
| UNSPSC 21.0 | 26121600 |
|-------------|----------|

NBC-M12MSD/ 5,0-93B/M12MSD - Network cable



1407526

<https://www.phoenixcontact.com/us/products/1407526>

Environmental product compliance

| | |
|------------|---|
| China RoHS | Environmentally friendly use period: unlimited = EFUP-e |
| | No hazardous substances above threshold values |

NBC-M12MSD/ 5,0-93B/M12MSD - Network cable



1407526

<https://www.phoenixcontact.com/us/products/1407526>

Accessories

NBC-MSD-MSD SCO-PN/.../... - Network cable

1408634

<https://www.phoenixcontact.com/us/products/1408634>



Network cable, PROFINET CAT5 (100 Mbps), EtherCAT® CAT5 (100 Mbps), 4-position, Variable cable type, shielded, Plug straight M12 SPEEDCON, coding: D / IP67, on Plug straight M12 SPEEDCON, coding: D / IP67, cable length: Free input (0.2 ... 40.0 m)

NBC-MSD-MRD SCO-PN/.../... - Network cable

1408625

<https://www.phoenixcontact.com/us/products/1408625>



Network cable, PROFINET CAT5 (100 Mbps), EtherCAT® CAT5 (100 Mbps), 4-position, Variable cable type, shielded, Plug straight M12 SPEEDCON, coding: D / IP67, on Plug angled M12 SPEEDCON, coding: D / IP67, cable length: Free input (0.2 ... 40.0 m)

NBC-M12MSD/ 5,0-93B/M12MSD - Network cable

1407526

<https://www.phoenixcontact.com/us/products/1407526>



NBC-MRD-MRD SCO-PN/.../... - Network cable

1408624

<https://www.phoenixcontact.com/us/products/1408624>



Network cable, PROFINET CAT5 (100 Mbps), EtherCAT[®] CAT5 (100 Mbps), 4-position, Variable cable type, shielded, Plug angled M12 SPEEDCON, coding: D / IP67, on Plug angled M12 SPEEDCON, coding: D / IP67, cable length: Free input (0.2 ... 40.0 m)

NBC-MSD-FSD SCO-PN/.../... - Network cable

1408617

<https://www.phoenixcontact.com/us/products/1408617>



Network cable, PROFINET CAT5 (100 Mbps), EtherCAT[®] CAT5 (100 Mbps), 4-position, Variable cable type, shielded, Plug straight M12 SPEEDCON, coding: D / IP67, on Socket straight M12 SPEEDCON, coding: D / IP67, cable length: Free input (0.2 ... 40.0 m)

NBC-M12MSD/ 5,0-93B/M12MSD - Network cable

1407526

<https://www.phoenixcontact.com/us/products/1407526>



NBC-MSD-FRD SCO-PN/.../... - Network cable

1408608

<https://www.phoenixcontact.com/us/products/1408608>



Network cable, PROFINET CAT5 (100 Mbps), EtherCAT® CAT5 (100 Mbps), 4-position, Variable cable type, shielded, Plug straight M12 SPEEDCON, coding: D / IP67, on Socket angled M12 SPEEDCON, coding: D / IP67, cable length: Free input (0.2 ... 40.0 m)

NBC-MRD-FSD SCO-PN/.../... - Network cable

1408616

<https://www.phoenixcontact.com/us/products/1408616>



Network cable, PROFINET CAT5 (100 Mbps), EtherCAT® CAT5 (100 Mbps), 4-position, Variable cable type, shielded, Plug angled M12 SPEEDCON, coding: D / IP67, on Socket straight M12 SPEEDCON, coding: D / IP67, cable length: Free input (0.2 ... 40.0 m)

NBC-M12MSD/ 5,0-93B/M12MSD - Network cable

1407526

<https://www.phoenixcontact.com/us/products/1407526>



NBC-MRD-FRD SCO-PN/.../... - Network cable

1408607

<https://www.phoenixcontact.com/us/products/1408607>



Network cable, PROFINET CAT5 (100 Mbps), EtherCAT® CAT5 (100 Mbps), 4-position, Variable cable type, shielded, Plug angled M12 SPEEDCON, coding: D / IP67, on Socket angled M12 SPEEDCON, coding: D / IP67, cable length: Free input (0.2 ... 40.0 m)

PROT-M12 FS-PA-CHAIN - Sealing cap

1430873

<https://www.phoenixcontact.com/us/products/1430873>



M12 sealing cap made of plastic with fixing band, for sensor cables, for free M12 plugs

NBC-M12MSD/ 5,0-93B/M12MSD - Network cable



1407526

<https://www.phoenixcontact.com/us/products/1407526>

SAC-M12-EXCLIP-M - Locking clip

1558988

<https://www.phoenixcontact.com/us/products/1558988>



Locking clip for the pin side of sensor/actuator cables with M12 connector and M12 connectors for assembly, for knurl diameter: 15 mm or for Allen key with a wrench size of 14 mm, prevents the disconnection of plug-in connections without tools

TSD 04 SAC - Torque screwdriver

1208429

<https://www.phoenixcontact.com/us/products/1208429>



Torque screwdriver, with preset torque of 0.4 Nm and 4 mm hexagonal drive for M12 connectors

NBC-M12MSD/ 5,0-93B/M12MSD - Network cable



1407526

<https://www.phoenixcontact.com/us/products/1407526>

TSD-M 1,2NM - Torque screwdriver

1212224

<https://www.phoenixcontact.com/us/products/1212224>



Torque screw driver, accuracy as per EN ISO 6789 standard, adjustable from 0.3 - 1.2 Nm

TSD-M SAC-BIT ADAPTER - Adapter insert

1212600

<https://www.phoenixcontact.com/us/products/1212600>



Adapter bit for TSD-M...torque tools, E6.3-1/4" drive with 4 mm hexagon to accommodate SAC bits

NBC-M12MSD/ 5,0-93B/M12MSD - Network cable



1407526

<https://www.phoenixcontact.com/us/products/1407526>

SAC BIT M12-D15 - Tool

1208432

<https://www.phoenixcontact.com/us/products/1208432>



Nut for assembling sensor/actuator cables with M12 connector and M12 connectors for assembly, with a knurl diameter of 15 mm, for 4 mm hexagonal drive

Phoenix Contact 2024 © - all rights reserved

<https://www.phoenixcontact.com>

Phoenix Contact USA
586 Fulling Mill Road
Middletown, PA 17057, United States
(+717) 944-1300
info@phoenixcon.com